

Color: Bronze

Weight: 11.0 lbs

<b>Project:</b>	<b>Type:</b>
<b>Prepared By:</b>	<b>Date:</b>

Driver Info		LED Info	
Type	Constant Current	Watts	120W
120V	1.20A	Color Temp	3000K/4000K/5000K
208V	0.70A	Color Accuracy	80 CRI
240V	0.60A	L70 Lifespan	100,000 Hours
277V	0.50A	Lumens	14880/17159/15557
Input Watts	122.8/122.1/122.7W	Efficacy	121.2/140.5/126.8 lm/W

## Technical Specifications

### Field Adjustability

#### Field Adjustable:

Color temperature selectable by 3000K, 4000K and 5000K

### Compliance

#### UL Listed:

Suitable for wet locations

#### IESNA LM-79 & IESNA LM-80 Testing:

RAB LED luminaires and LED components have been tested by an independent laboratory in accordance with IESNA LM-79 and LM-80.

#### Dark Sky Conformance:

Conforms to (allows for conformance to) the IDA's fully shielding requirement, emitting no light above 90 degrees (with the exclusion of incidental light reflecting from fixture housing, mounts, and pole).

#### DLC Listed:

This product is listed by Design Lights Consortium (DLC) as an ultra-efficient premium product that qualifies for the highest tier of rebates from DLC Member Utilities. Designed to meet DLC 5.1 requirements.

DLC Product Code: PLEY76IFWY51

### Performance

#### Lifespan:

100,000-Hour LED lifespan based on IES LM-80 results and TM-21 calculations

### LED Characteristics

#### LEDs:

Long-life, high-efficiency, surface-mount LEDs

### Electrical

#### Driver:

Constant Current, Class 1, 120-277V, 50/60 Hz, 120V: 1.20A, 208V: 0.70A, 240V: 0.60A, 277V: 0.50A

#### Dimming Driver:

Driver includes dimming control wiring for 0-10V dimming systems. Requires separate 0-10V DC dimming circuit. Dims down to 10%.

#### Photocell:

120-277V selectable photocell that can be turned on and off.

### Note:

All values are typical (tolerance +/- 10%)

### Construction

#### IP Rating:

Ingress protection rating of IP65 for dust and water

#### Cold Weather Starting:

The minimum starting temperature is -40°C (-40°F)

#### Maximum Ambient Temperature:

Suitable for use in up to 50°C (122°F)

## Technical Specifications (continued)

### Construction

#### Housing:

Precision die-cast aluminum housing and door frame

#### Lens:

Polycarbonate lens

#### Mounting:

Hinged wiring access and conduit entries on the back, sides, top and bottom make installation a snap

### Cut Off:

Full cutoff (0°)

### Finish:

Formulated for high durability and long-lasting color

### Green Technology:

Mercury and UV free. RoHS-compliant components.

### Other

#### 5 Yr Limited Warranty:

The RAB 5-year, limited warranty covers light output, driver performance and paint finish. RAB's warranty is subject to all terms and conditions found at [rablighting.com/warranty](http://rablighting.com/warranty).

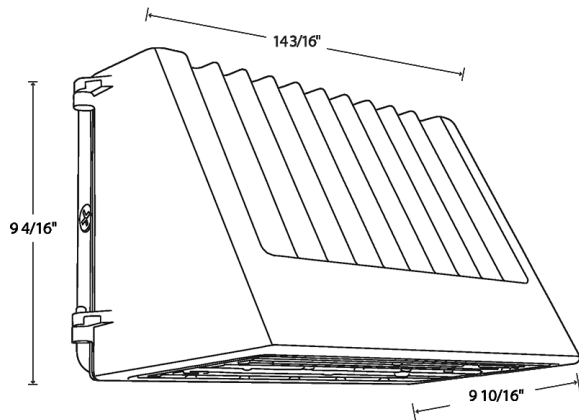
#### Equivalency:

Equivalent to 750W Metal Halide

#### Buy American Act Compliance:

RAB values USA manufacturing! Upon request, RAB may be able to manufacture this product to be compliant with the Buy American Act (BAA). Please contact customer service to request a quote for the product to be made BAA compliant.

## Dimensions



## Features

- Selectable CCT
- Full cutoff
- Selectable on/off photocell
- 0-10V dimming standard

## Ordering Matrix

Family	Style	Wattage
SLIM17FA	FC	120
	FC = Full cutoff	100 = 100W 120 = 120W 150 = 150W